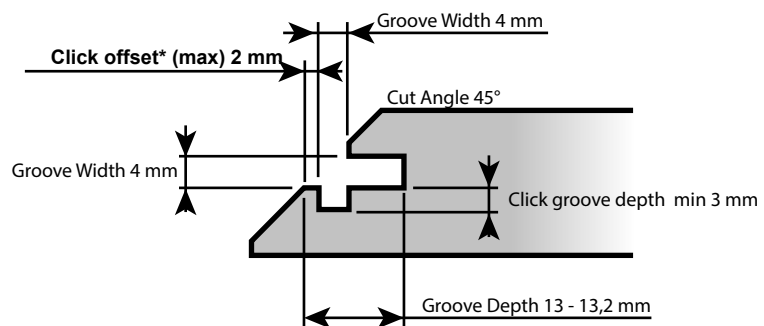
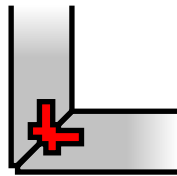


Groove measurements for Ackurat CLIXTAG® and LOXTAG®

CLIXTAG® 45 and LOXTAG® 45



*) Important with high tolerance close to 2 mm for a perfect joint



Patent pending 18171388.4-1011

 **ACKURAT**

ackurat.com

190522CL